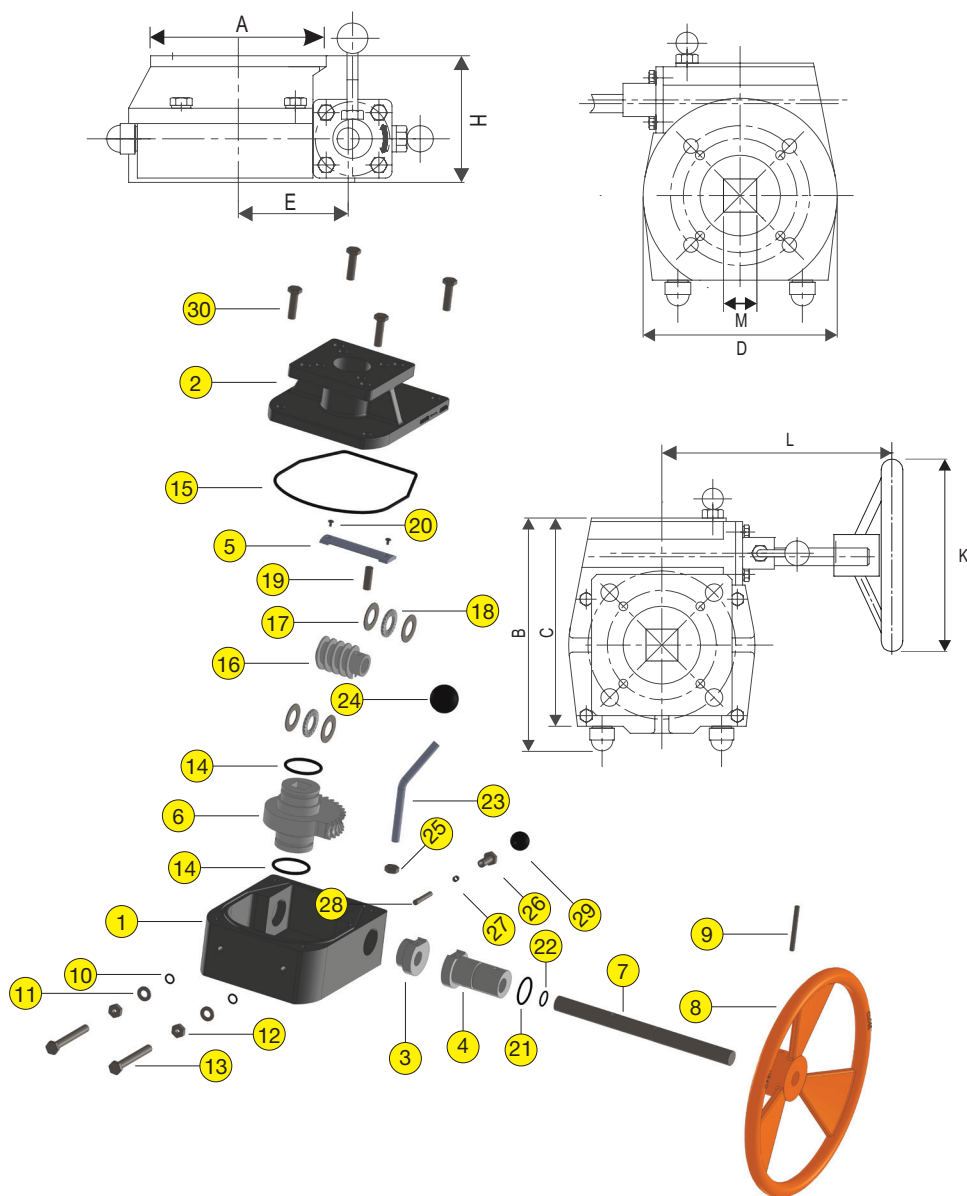


A280 Manual Override Gearboxes

Manual override gearboxes employ a declutchable worm and worm wheel mechanism for manually overriding the pneumatic and hydraulic valve actuators in process applications. PROVAL MOA Series manual override gearboxes are ruggedly designed and produced for users of all industries requiring reliable manual operation of actuated valves at emergency situation.



Material List

No	Part Name	Material	Qty
1	Body	Cast Iron	1
2	Cap	Cast Iron	1
3	Inner Eccentric Part	Carbon Steel	1
4	Outer Eccentric Part	Carbon Steel	1
5	Locking Part	Carbon Steel	1
6	Worm Gear	Ductile Iron	1
7	Shaft	AISI420	1
8	Handwheel	Cast Iron (MOA-1 / 2) Steel (MOA-3 / 7)	1
9	Pin	Carbon Steel	1
10	O-Ring	NBR	2
11	Washer	AISI304	2
12	Nut	AISI304	2
13	Hexagon Bolt	AISI304	2
14	O-Ring	NBR	2
15	Body Seal	NBR	1
16	Gear	Carbon Steel	1
17	Bushing	Carbon Steel	4
18	Bearing	Carbon Steel	2
19	Gear Pin	Carbon Steel	1
20	Bolt	AISI304	2
21	Guide Seal	NBR	1
22	Shaft Seal	NBR	1
23	Lever	Carbon Steel	1
24	Lever Head	Plastic	1
25	Locking Nut	AISI420	1
26	Locker Bolt	AISI304	1
27	Spring	Spring Steel	1
28	Locker Stem	Carbon Steel	1
29	Locker Head	Plastic	1
30	Cap Bolt	AISI304	4

Dimensions (mm)	Model	Ratio	Torque (Nm)	Weight (Kg)	Top Actuator Flange		Base Valve Flange		A	B	C	D	E	H	K	L	M
					ISO1	ISO2	ISO1	ISO2									
	A280-01	26:1	300	6,5	F05	F07	F05	F07	70	145	125	110	46	93	150	195	9-11-14
	A280-02	38:1	550	12,5	F07	F10	F07	F10	100	180	165	140	65	122	250	200	14-17-22
	A280-03	54:1	1200	17,0	F12 or F14		F12 or F14		130	225	199	175	85	95	300	233	27-36
	A280-04	80:1	2000	22,0	F14 or F16		F14 or F16		156	311	279	234	123	117	400	277	36
	A280-05	78:1	3100	38,0	F16		F16		162	350	322	276	142	122	600	323	46
	A280-06	98:1	6000	100,0	F25		F25		300	435	415	300	157	244	500	463	46
	A280-07	100:1	15000	180,0	F30		F30		350	592	544	470	225	278	700	558	55