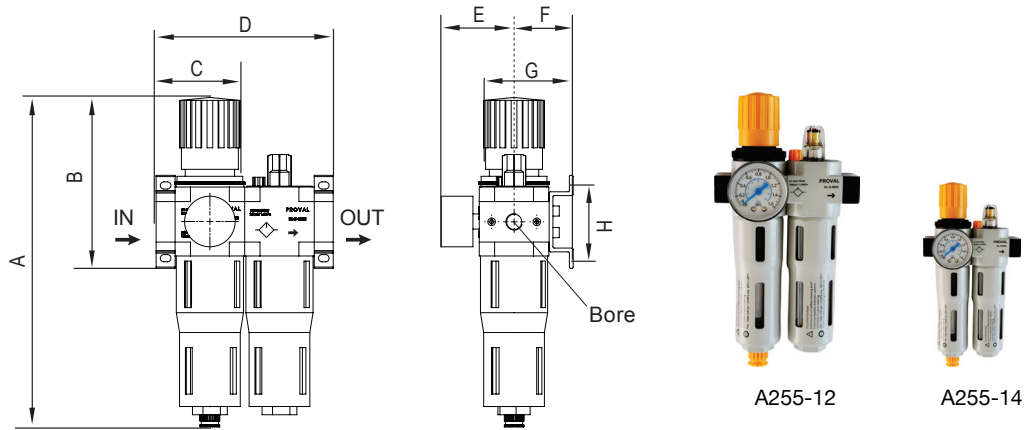




A255 FRL Units

Proval A255 Series FRL units are used to filter, regulate and lubricate the pneumatic air.



Dimensions (mm)

Model	Inlet	A	B	C	D	E	F	G	H
A255-14	G1/4"	205	70	6	104	55	39	59	35
A255-12	G1/2"	260	98	7,5	140	65,5	46,5	74	59

Pneumatic Hoses, Fittings, Silencers and Speed Reducers

Model	Description
A141-6	6 mm PU Hose (200m/Roll)
A141-8	8 mm PU Hose (100m/Roll)
A141-10	10 mm PU Hose (100m/Roll)
A141-12	12 mm PU Hose (100m/Roll)
A142-186	1/8" - 6mm Straight Type Metallic Fittings
A142-188	1/8" - 8mm Straight Type Metallic Fittings
A142-146	1/4" - 6mm Straight Type Metallic Fittings
A142-148	1/4" - 8mm Straight Type Metallic Fittings
A142-1410	1/4" - 10mm Straight Type Metallic Fittings
A142-1412	1/4" - 12mm Straight Type Metallic Fittings
A142-1210	1/2" - 10mm Straight Type Metallic Fittings
A142-1212	1/2" - 12mm Straight Type Metallic Fittings
A143-186	1/8" - 6mm Elbow Type Plastic Fittings
A143-188	1/8" - 8mm Elbow Type Plastic Fittings
A143-146	1/4" - 6mm Elbow Type Plastic Fittings
A143-148	1/4" - 8mm Elbow Type Plastic Fittings
A144-186	1/8" - 6mm Elbow Type Speed Reducer Fittings
A144-188	1/8" - 8mm Elbow Type Speed Reducer Fittings
A144-146	1/4" - 6mm Elbow Type Speed Reducer Fittings
A145-18	1/8" Silencer
A145-14	1/4" Silencer
A146-18	1/8" Speed Reducer with Silencer
A146-14	1/4" Speed Reducer with Silencer
A147-14	1/4" Air Valve
A149-6	6mm Connection Fittings For Panels
A149-8	8mm Connection Fittings For Panels
A150-6	6 mm Connection Fittings
A150-8	8 mm Connection Fittings
A150-10	10 mm Connection Fittings
A150-12	12 mm Connection Fittings
A151-68	6-8 mm Reducer Type Connection Fittings
A151-610	6-10 mm Reducer Type Connection Fittings
A151-612	6-12 mm Reducer Type Connection Fittings
A151-810	8-10 mm Reducer Type Connection Fittings
A151-812	8-12 mm Reducer Type Connection Fittings
A152-68	6-8 mm Reducer T Fittings
A152-610	6-10 mm Reducer T Fittings
A152-612	6-12 mm Reducer T Fittings
A152-810	8-10 mm Reducer T Fittings
A152-812	8-12 mm Reducer T Fittings
A153-6	6 mm T Fittings
A153-8	8 mm T Fittings
A153-10	10 mm T Fittings



A141



A142



A143



A144



A145



A146



A147



A149



A150



A151



A152



A153