



## A240 NAMUR Type 3/2 - 5/2 Convertible Solenoid Valves

Proval A240 type solenoid valves are designed for direct assembly on rotary type NAMUR interface pneumatic valve actuators.

### Technical Specifications,

- \* Direct mounting on NAMUR interface actuators
- \* Easy convertible between 3/2 and 5/2 way(DA or SR) by replacing the o-ring position
- \* Lockable manual operator
- \* Standard IP65 enclosure single coil (spring return)

### Optional,

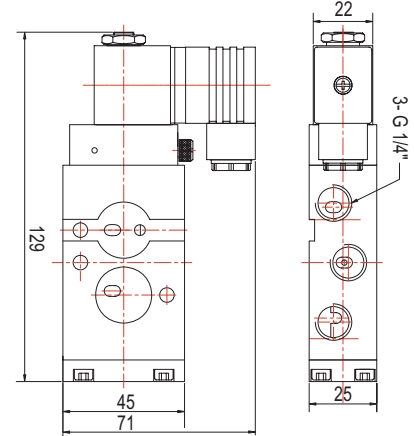
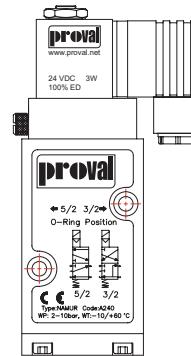
- \* Dual coil construction
- \* Ex m II T5 explosion proof coil



NAMUR Type Solenoid Valves

### Technical Specifications,

Power Supply	12 VDC	24 VDC	24 VAC	110 VAC	220 VAC
Power Consumption	3W	3W	5VA	5VA	5VA
Air Supply	G 1/4"				
Working Pressure	2 - 10 bar				
Protection Class	IP65 (Optional Ex m II T5 ATEX)				
Working Temperature	-10 0C ~ + 70 0C				
Flow Capacity	720 Lt/min				



Accessories for Solenoid Valves	
Model	Description
A240PB	9mm Coil, IP65
A240PBX	9mm Coil, Exproof "m" Class"
A240SP	Standard Socket
A240SPL	Socket with LED



A240PBX



A240 PB

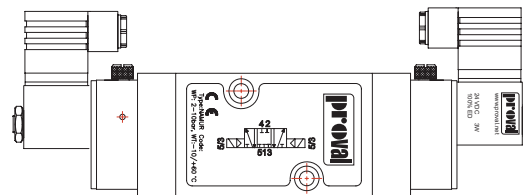
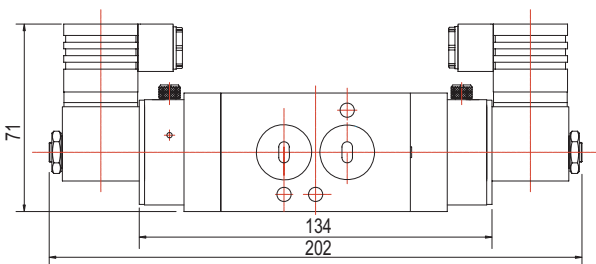


A240 SP

## A244 NAMUR Type 5/3 Dual Coil Solenoid Valves



NAMUR Type Dual Coil Solenoid Valves



## A246 NAMUR Type Air Pilot Operated Solenoid Valves



NAMUR Type Air Pilot Solenoid Valves

