

A170 Actuator Speed Control Valves

Speed control valves are used in between actuators and NAMUR solenoid valves for smooth regulation of opening and closing of actuators. Other type solenoid valves can also be applied with

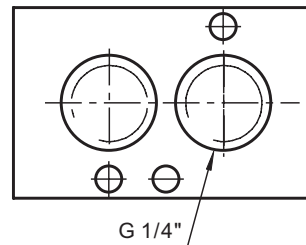
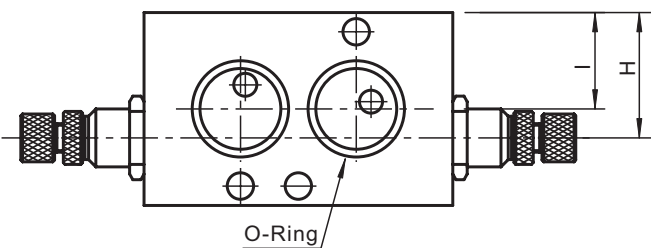
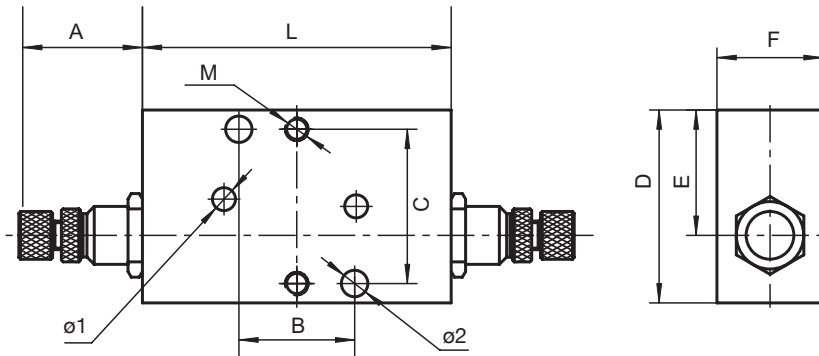
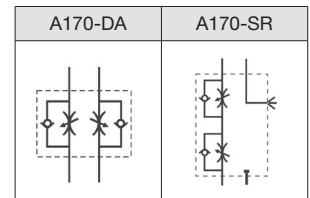
an additional adaptor plate. Speed control valves provide a very precise speed adjustment in both directions.



Technical Specifications

Max Air Flow	1400 L/Min @ 5 bar
Working Pressure	1,5 to 10 bar
Temperature	-20 °C to +60 °C

Working Principle



G 1/4" Adaptor Plate for non NAMUR applications of Speed Reducer Valves

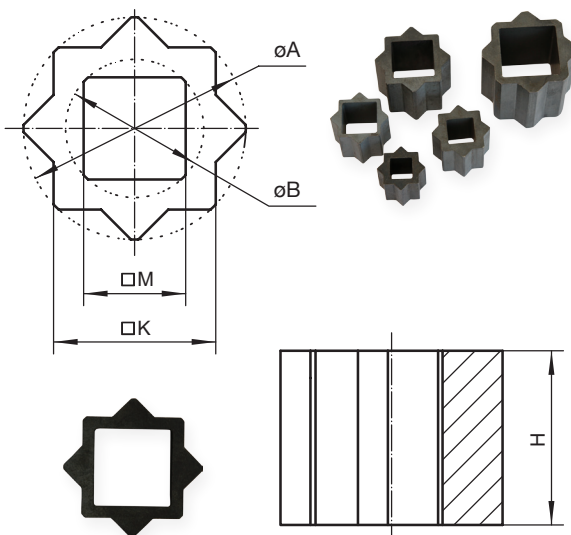


Dimensions (mm)

Type	A Min	A Max	B	C	D	E	F	H	I	M	Ø1	Ø2
A170-DA	25	32	24	32	40	20	22	20	20	M5X6	4,4	5,5
A170-SR	25	32	23	32	40	26	22	26	20	M5X6	4,4	5,5

A148 Square Reduces

Square reducers are used to transfer the valve shafts to the larger actuator shafts.



Dimensions (mm)

Type	K	-0,03 -0,05	ØA	-0,1 -0,2	M	+0,14 +0,06	ØB	H
11M9	11		15		9		12	12
14M9	14		19		9		12	16
14M11	14		19		11		14,8	16
17M11	17		23		11		14,8	19
17M14	17		23		14		19	19
19M14	19		26		14		19	21
19M17	19		26		17		23	21
22M14	22		30		14		19	24
22M17	22		30		17		23	24
22M19	22		30		19		26	24
27M17	27		37		17		23	29
27M19	27		37		19		26	29
27M22	27		37		22		30,3	29
36M19	36		49		19		26	38
36M22	36		49		22		30,3	38
36M27	36		49		27		37,3	38
46M36	46		60		36		60	48